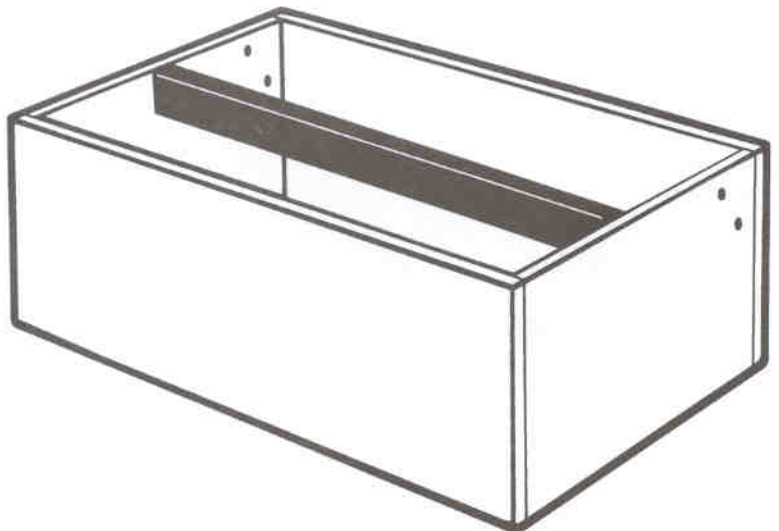
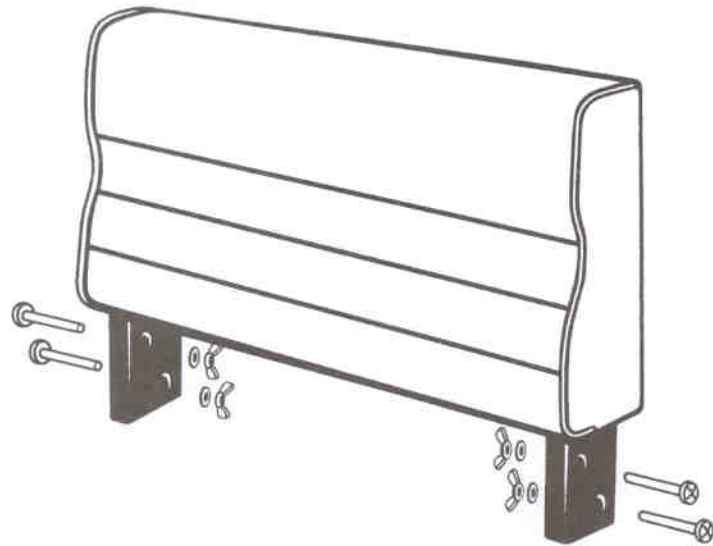
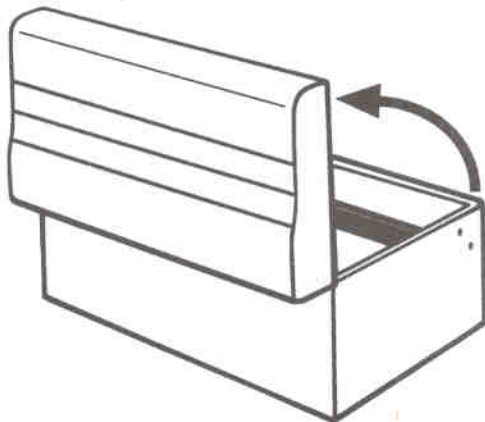


WISE

BENCH SEAT ASSEMBLY INSTRUCTIONS QUALITY PLASTIC PONTOON SEATING

A

- You will have one carton containing a seat cushion, base and backrest.
- The only tool needed is a Phillips head screwdriver.
- Seat cushion is attached to the front of the base. Flip up to install backrest, (see illustration below).
- The backrest will slide directly against base.
- To permanently attach backrest, align holes on backrest extension with holes in base. Screw 4 bolts through the base and extension and secure with washers and wingnuts.



**Questions? Missing Parts?
Call 800-759-5769**

Above items are not manufactured
for commercial use.

THE WISE COMPANY

472 9th St. Rector, AR 72461
TOLL FREE TEL: (800) 759-5769

www.wiseseats.com

WF 1006

MANUFACTURERS OF QUALITY MARINE SEATING SINCE 1960

11.15.04