

ASSEMBLY INSTRUCTIONS FOR PORTABLE PRIVACY PARTITION

Marine Mooring

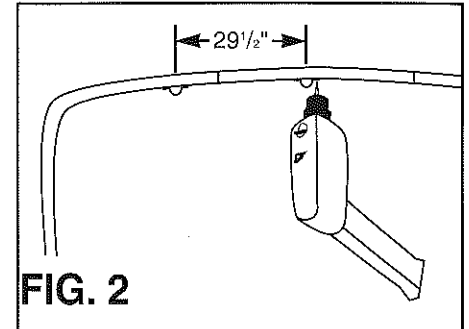
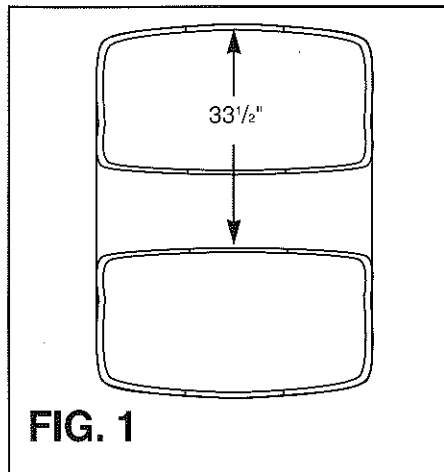
NOTE: With the adjustable positioning strap the *Portable Privacy Partition* can be mounted to most any frame.

PARTS LIST

- 1 - Partition
- 2 - Adjustable positioning straps with snap hooks and 2 strap rings attached
- 4 - Strap eyes
- 8 - Self-tapping tech screws

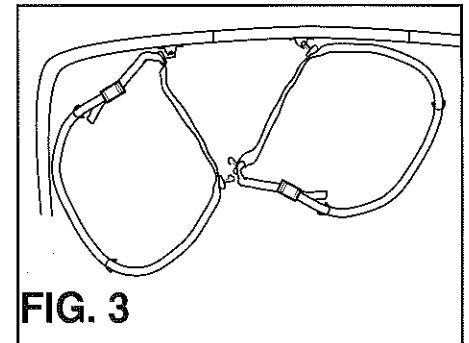
STEP #1

If the distance between the front or rear bow and a non-adjacent secondary bow is no more than 33 $\frac{1}{2}$ " , then disregard the steps for installing the adjustable positioning straps and fasten the partition directly to the frame. Follow steps 2 and 3 to position the strap eyes, then attach the partition to all four strap eyes.
SEE FIG. 1.



STEP #4

Attach the adjustable positioning straps to the strap eyes in the front or rear and secondary bows.
SEE FIG. 3.



STEP #2

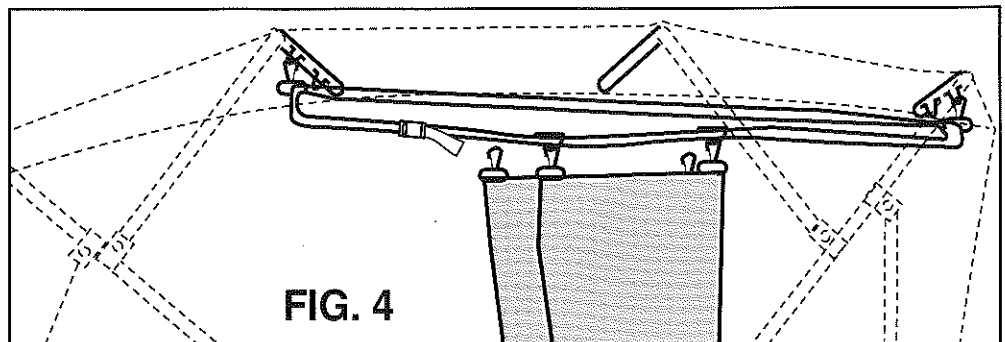
Attach 2 strap eyes into either the front or rear bow, positioning them to support one side of the partition. (Drill through the sleeve if necessary.) Use 2 self-tapping tech screws for each strap eye.
SEE FIG. 2.

STEP #3

Attach the remaining strap eyes into a non-adjacent secondary bow using 2 self-tapping tech screws each.
SEE FIG. 2.

STEP #5

Attach the partition to the strap eyes on the the positioning straps using the snap hooks on the partition itself. Adjust the positioning strap length by opening the white snap lock and pulling the excess strap through the lock. The positioning straps themselves should be snug, but not taut.
SEE FIG. 4.



PORTABLE PRIVACY PARTITION

